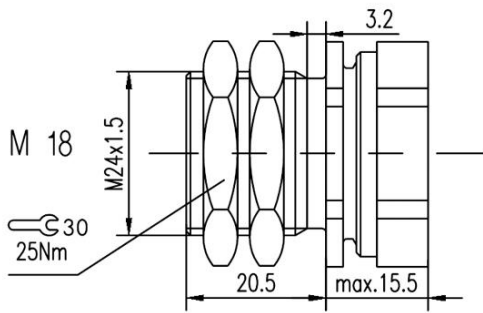


Accessories: Mounting unit BES 18.0-KH-2S



Common Data

Version
Usable with

Bracket
Bracket with positive stop for
sensors M18 with thread length
30mm

Mechanical Data

Measurements WxHxD or Dia x D
Material
Mounting

M24x1.5 x 36
CuZn nickel plated
thread M24x1.5

Datasheet number::

Definitions see general catalog.
If not otherwise noted, ratings according to
IEC 60947-5-2 (DIN EN60947-5-2)

Balluff GmbH
Schurwaldstrasse 9
73765 Neuhausen a.d.F.
Phone (07158) 173-0 Fax (07158) 5010

Datenblatt by CD-ROM - 04/2007

BALLUFF
sensors worldwide